



DESIGN SOLUTIONS

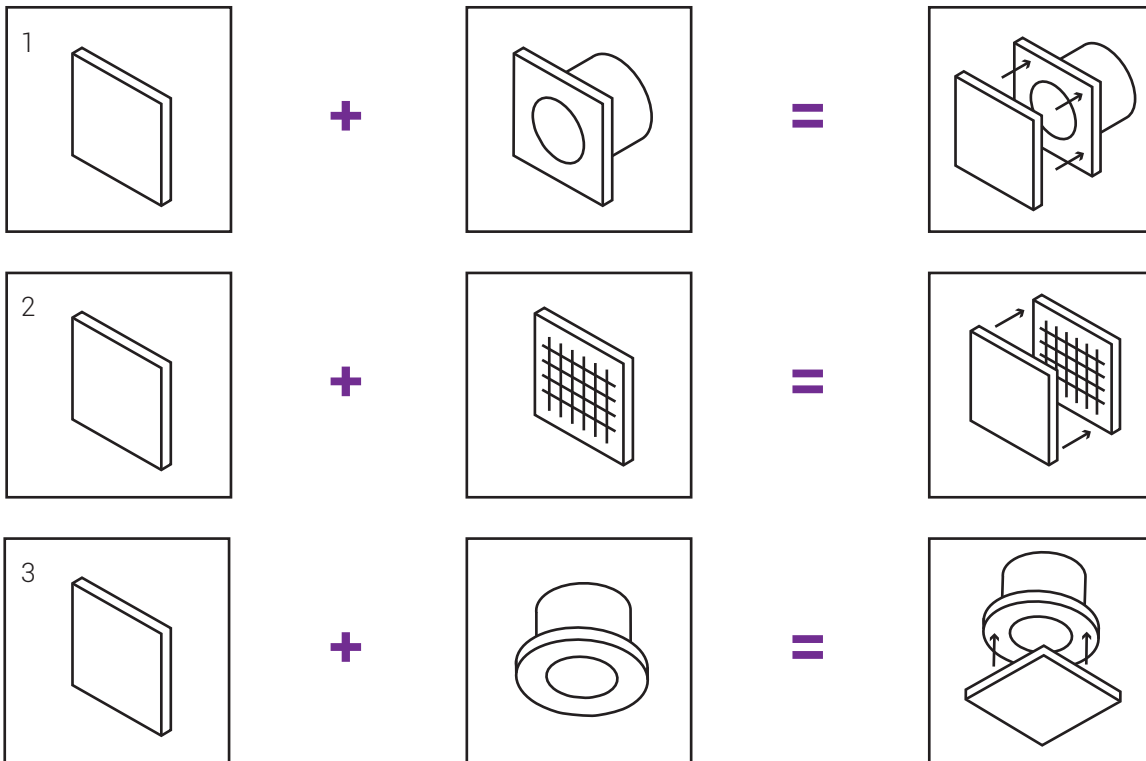
FOR DOMESTIC
VENTILATION

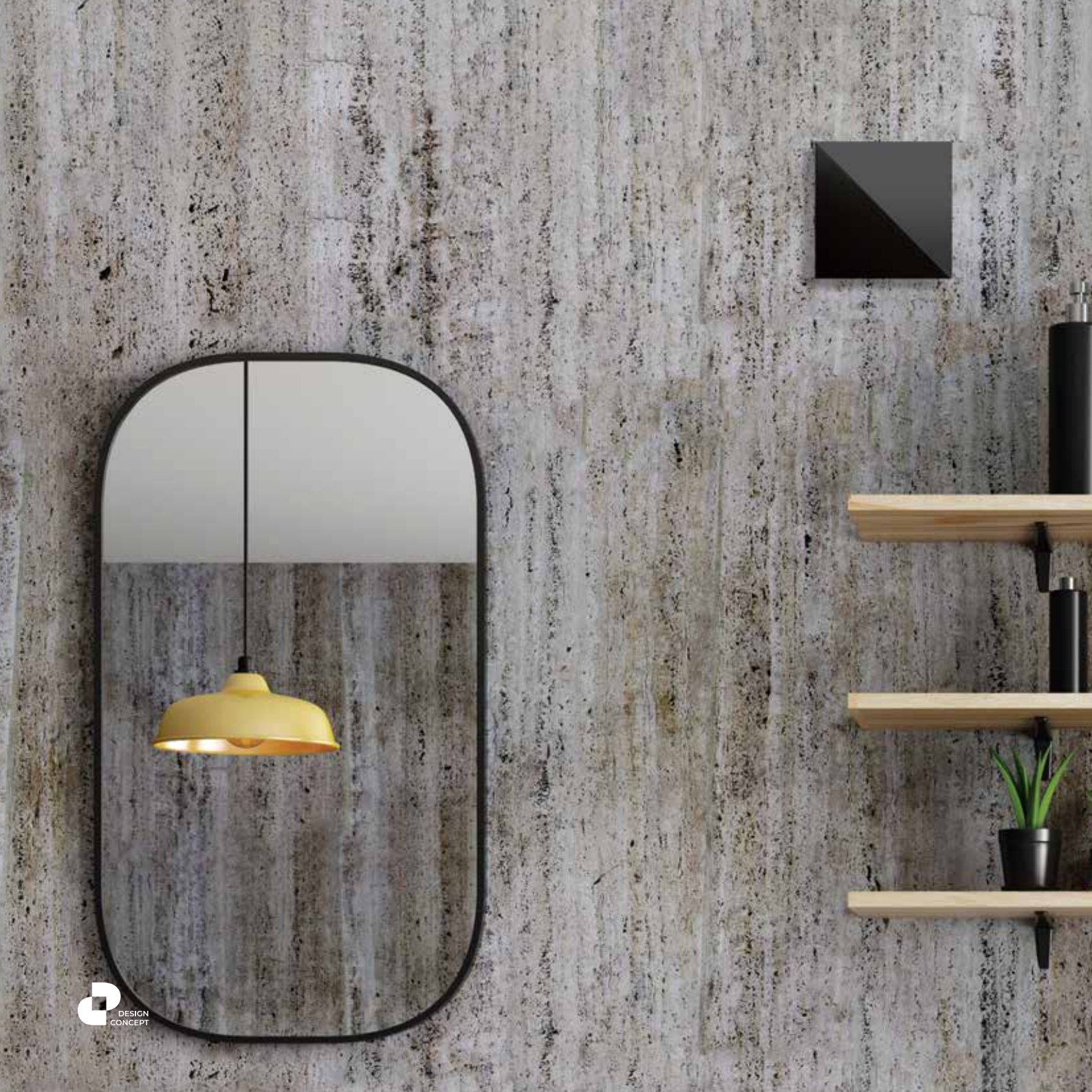




■ ABOUT DESIGN CONCEPT

Design Concept is a series of design fans from VENTS, the world's leader in domestic ventilation. A variety of universal removable front panels **allows choosing the design of a fan or ventilation grille for any interior of a bathroom or kitchen**. High quality of VENTS fans, possibility of wall and ceiling mounting, huge selection of front panel decors - all this in the new series of VENTS Design Concept fans.





■ CONTEMPORARY STYLE



Plain



Plain black sapphire



Plain metallic



Plain wing



Mystery



Disc



Glass



Glass black



■ FUSION STYLE



Aqua



Mars



Mystery



Reef



Frizz



Glass



Glass red



Glass black



■ HI-TECH STYLE



Plain alumat



Plain chrome



Plain metallic



Plain red



Plain black sapphire



Glass



Glass red



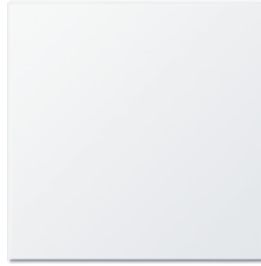
Glass black



■ SCANDINAVIAN STYLE



Plain



Plain wing



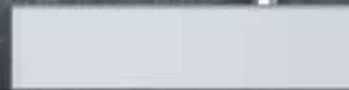
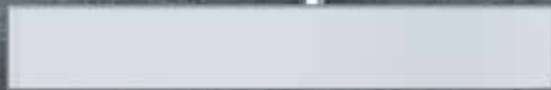
Mystery



Disc



Glass



■ LOFT STYLE



Plain black sapphire



Plain metallic



Plain alumat



Plain chrome



Glass black



FANS

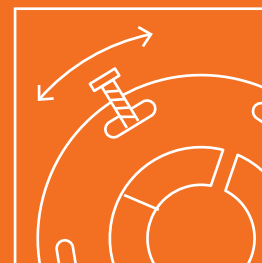
The fan bases are available in diameters of 100 and 125 mm in the standard Base version and low-noise Ace version.



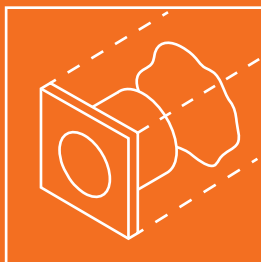
Our fans have been tested in leading world laboratories and meet all the specified parameters.



Fan design complies with international safety standards EN 60335-1:2017.



It allows for convenient adjustment of the fan position while mounting.

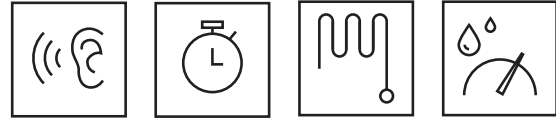


The dimensions of the fan casing allow to completely close the ventilation duct or shaft where the fan is mounted.



Consistent quality of VENTS products is backed by an official warranty.

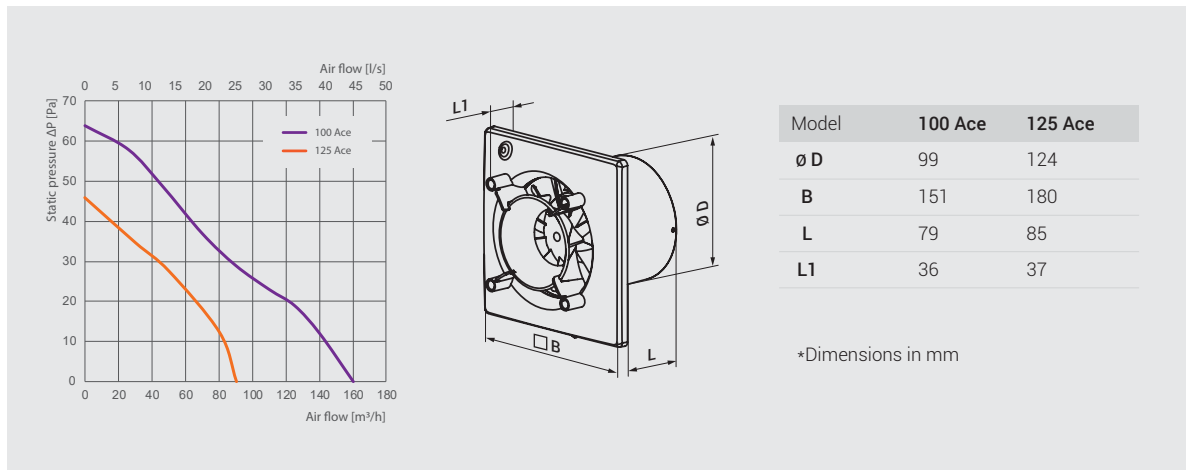
ACE FAN



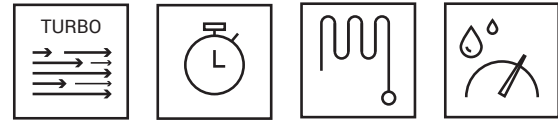
Model	100 Ace	125 Ace
Power [W]	8	17
Maximum air flow [m³/h]	90	160
Sound pressure level at 3 m distance [dBA]	27*	32*
Frequency [Hz]	50	50
Voltage [V]	220-240	220-240
Current [A]	0.05	0.11
RPM [min ⁻¹]	2165	2200
SFP [W/l/s]	0.32	0.38
Ingress protection rating	IP44	IP44



*Sound pressure level is indicated for a fan with installed FP/FPA/FPB panels



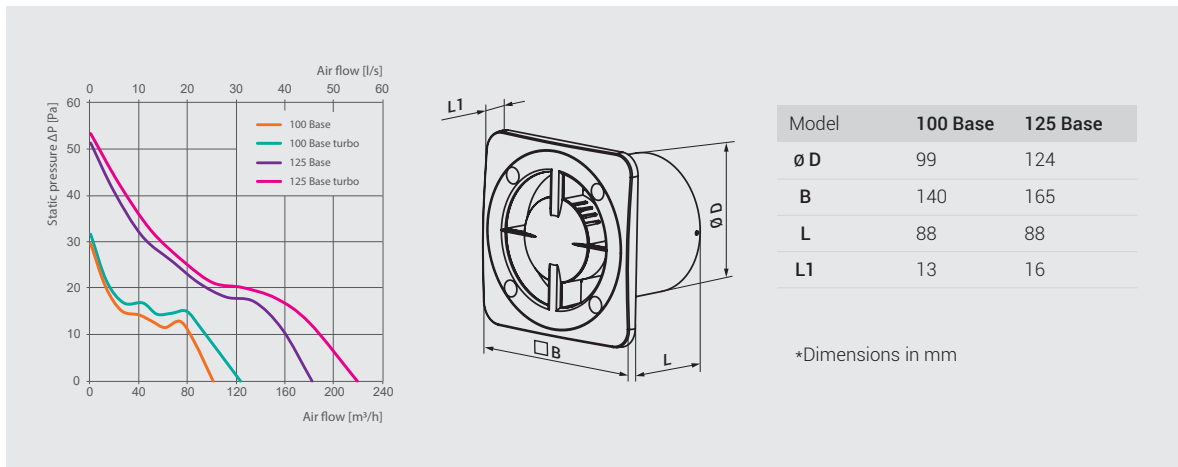
BASE FAN



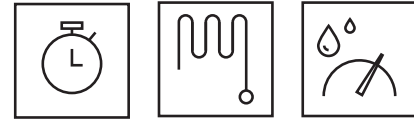
Model	100 Base (turbo)	125 Base (turbo)
Power [W]	14(15)	16(17)
Maximum air flow [m³/h]	100(122)	180(217)
Sound pressure level at 3 m distance [dBA]	34(36)	35(37)
Frequency [Hz]	50/60	50/60
Voltage [V]	220-240	220-240
Current [A]	0.09(0.1)	0.12(0.13)
RPM [min ⁻¹]	2300(2400)	2400(2500)
SFP [W/l/s]	0.5(0.44)	0.32(0.28)
Ingress protection rating	IP24	IP24



Can be used as a standard thin-wall fan



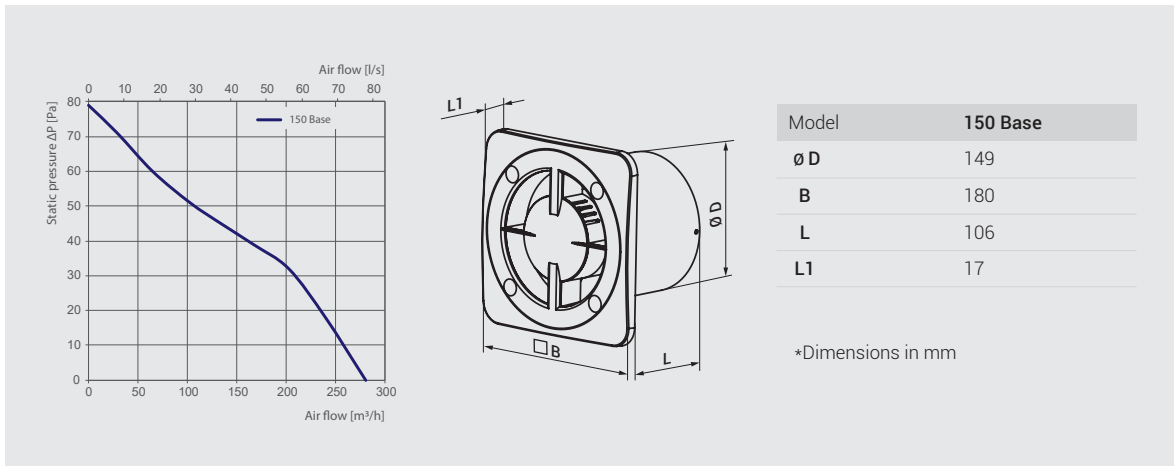
BASE FAN



Model	150 Base	150 Base (220 V/60 Hz)
Power [W]	23	23
Maximum air flow [m³/h]	280	280
Sound pressure level at 3 m distance [dBA]	34	34
Frequency [Hz]	50	60
Voltage [V]	220-240	220
Current [A]	0.161	0.161
RPM [min ⁻¹]	2200	2200
SFP [W/l/s]	0.3	0.3
Ingress protection rating	IP24	IP24



Can be used as a standard thin-wall fan

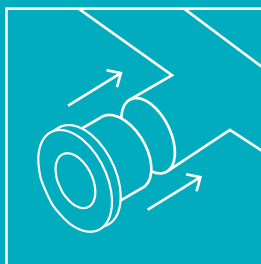


GRILLES AND DIFFUSERS

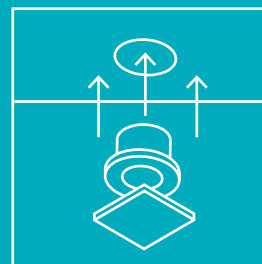
The Design Concept series enables creative design not only for fans, but also for ventilation grilles and diffusers.



Reinforced structure.

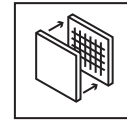


Can be applied in a system with a duct fan and a diffuser.



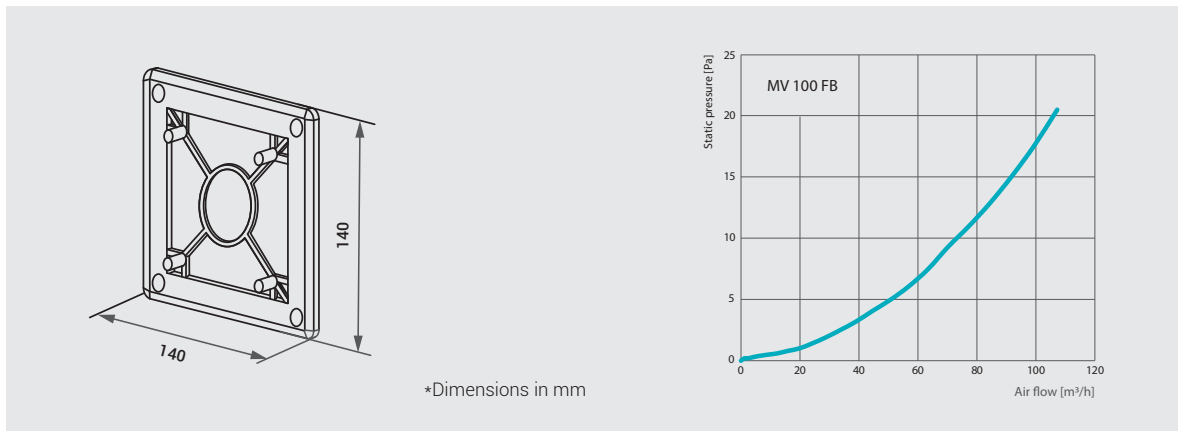
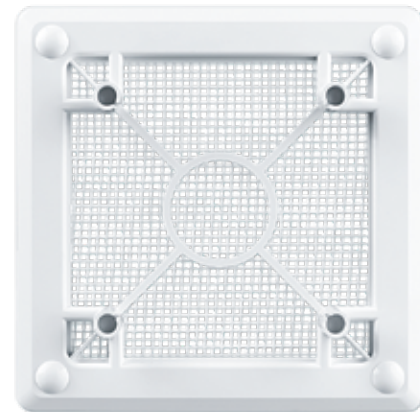
Can be mounted on a ceiling, including mounting with glass panels.

■ MV 100 FB GRILLE

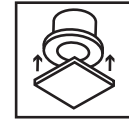


Application:

- Compatible with stylish decorative panels.
- Decoration of supply or exhaust vents of public and residential ventilation systems.
- Wall or ceiling mounting.

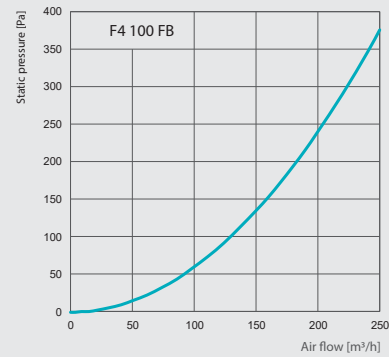
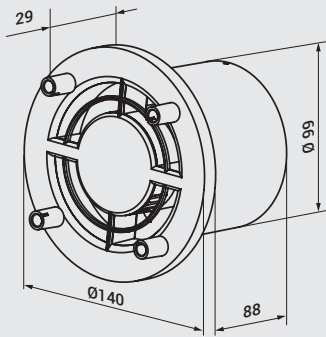


■ F4 100 FB DIFFUSER

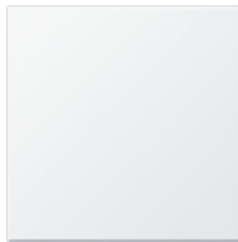
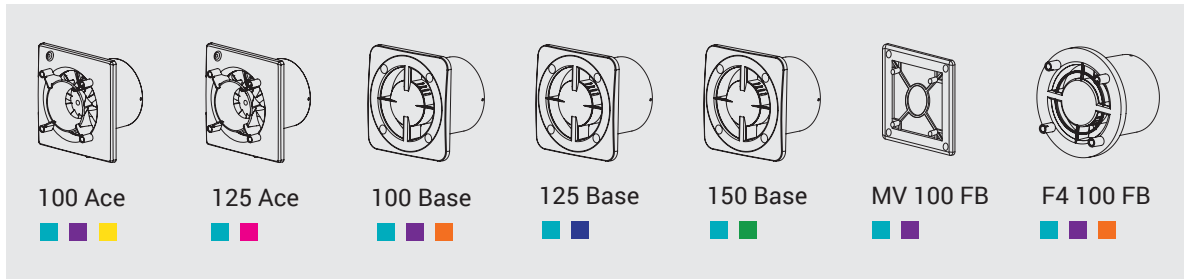


Application:

- Compatible with decorative panels, including glass panels.
- Equipped with a flange for connecting flexible air ducts.
- Removable external grille for technical maintenance.



PANEL AND BASE COMPATIBILITY



■ FP 180 Plain
■ FP 160 Plain



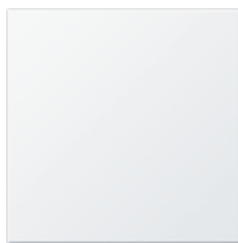
■ FP 180 Plain red
■ FP 160 Plain red



■ FP 180 Plain black sapphire
■ FP 160 Plain black sapphire



■ FP 180 Plain metallic



■ FP 180 Plain wing
FP 180 Plain dim



■ FPB 180/125 Disc
■ FPB 180/100 Disc



■ FP 180 Aqua



■ FP 180 Mars



■ FP 180 Mystery



■ FP 160 Reef



■ FP 160 Frizz



■ FP 180 Plain chrome

■ FP 160 Plain chrome



■ FP 180 Plain alumat

■ FP 160 Plain alumat



■ FPA 160 Glass-1

■ FPA 180/100 Glass-1

■ FPA 180/125 Glass-1

■ FPB 160 Glass-1

■ FPB 180/100 Glass-1

■ FPB 180/125 Glass-1

■ FPB 180/150 Glass-1



■ FPA 160 Glass-1 red

■ FPA 180/100 Glass-1 red

■ FPA 180/125 Glass-1 red

■ FPB 160 Glass-1 red

■ FPB 180/100 Glass-1 red

■ FPB 180/125 Glass-1 red

■ FPB 180/150 Glass-1 red



■ FPA 160 Glass-1 black

■ FPA 180/100 Glass-1 black

■ FPA 180/125 Glass-1 black

■ FPB 160 Glass-1 black

■ FPB 180/100 Glass-1 black

■ FPB 180/125 Glass-1 black

■ FPB 180/150 Glass-1 black



The producer reserves the exclusive right to modify the construction, design and specifications as well as alter the components of its products at any time without prior notice.



www.ventilation-system.com