

Series
KOM1



■ **Applications**

Gravity backdraft damper for air flow cut-off in rectangular air duct. The damper prevents back draft when the system is off.

■ **Design**

The housing and the rotary blade are made of galvanized steel. The damper blade is opened by the air pressure and is closed when the system is off.

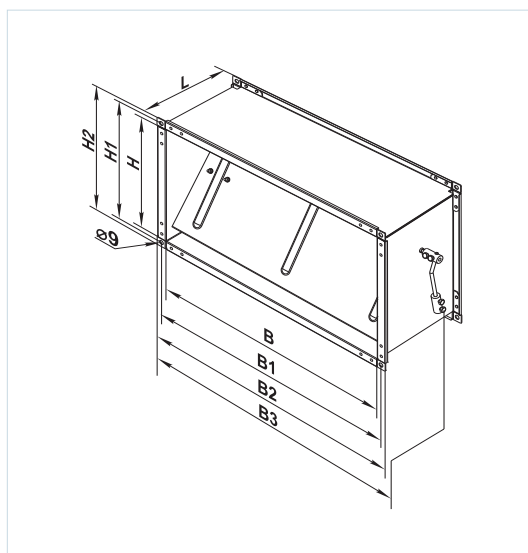
The damper handle counterweight enables regulation of the damper opening-closing sensitivity.

■ **Mounting**

Standard spigot connection for rectangular air ducts. The blade axis should be in horizontal position allowing the blade to close by its own weight. Correct airflow direction should be considered.

Overall dimensions:

Type	Dimensions [mm]								Weight [kg]
	B	B1	B2	B3	H	H1	H2	L	
KOM1 400x200	400	420	440	461	200	220	240	202	2.9
KOM1 500x250	500	520	540	561	200	270	290	202	3.73
KOM1 500x300	500	520	540	561	300	320	340	202	4.1
KOM1 600x300	600	620	640	661	300	320	340	202	4.64
KOM1 600x350	600	620	640	661	350	370	390	202	5.03



Designation key: _____

Series	Flange dimensions [mm]
KOM 1	400x200;500x250;500x300;600x300;600x350